

Kolga Model A304 High Performance Low Background Lead Food Monitor Shield

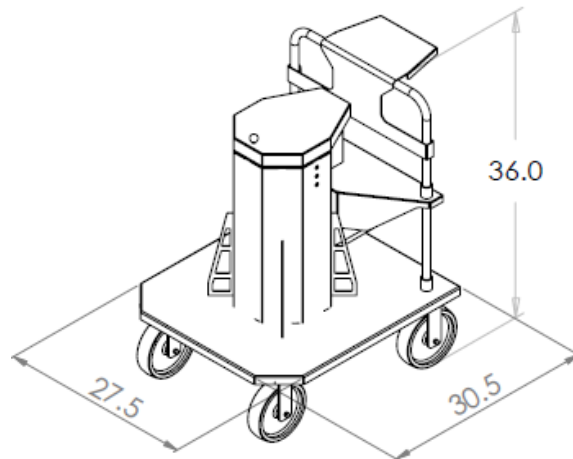


Description

The Kolga Model A304 is a 4.75 cm (1.8 inch) high performance copper/tin graded liner lead shield for NaI detectors. The 4.75 cm bulk shield is made from certified DOE Run virgin lead. The graded liner is designed for the suppression lead x-rays and consists of a tin layer of 1 mm (0.040 in.) covered by a oxygen free copper layer of 1.5 mm (0.06 in.). The shield includes 8 inch wheel for easy movement for safe operation. The shield can accept either a 2x2 or a 3x3 NaI detector which is inserted from the top opening into the detector holder for secure mounting. The A304 exterior is satin finish stainless steel.

Specifications

- ◆ Overall: Height 91.4 cm (36.0 in.) Width 77.5 cm (30.5 in.)
- ◆ Cavity: Diameter 17.78 cm (7.0 in.) Depth 16.5 cm (6.5 in.)
- ◆ Outer Jacket - 6.35 mm (0.25 in.) Stainless Steel.
- ◆ Shield - 4.75 cm (1.8 in.) thick certified low background lead.
- ◆ Graded Lining - 1 mm (0.040 in.) tin and 1.5 mm (0.06 in.) oxygen free copper.
- ◆ Weight 243.4 Kg (536 lbs.)
- ◆ Satin Finish Stainless Steel



MOBILE UNIT
536 Lbs